

Qty. Description

1 NB 80-200/196 A-F-A-GQQE



Note! Product picture may differ from actual product

Product No.: [96535225](#)

Non-self priming, single-stage centrifugal

The pump is for the pumping of thin, clean or slightly contaminated liquids without abrasive or long-fibred solids.

The pump is directly coupled with an IEC-flanged 3-phase AC motor.

The impeller is hydraulically as well as dynamically balanced.

The pump has the following characteristics:

- flange dimensions according to EN 1092-2, pump housing,
- stainless steel shaft and bronze wear rings,
- unbalanced mechanical shaft seal according to EN 12756.

:
 Pumped liquid: Water
 μ : -25 .. 90 °C
 μ : 20 °C

Density at selected liquid temperature: 998.2 kg/m³

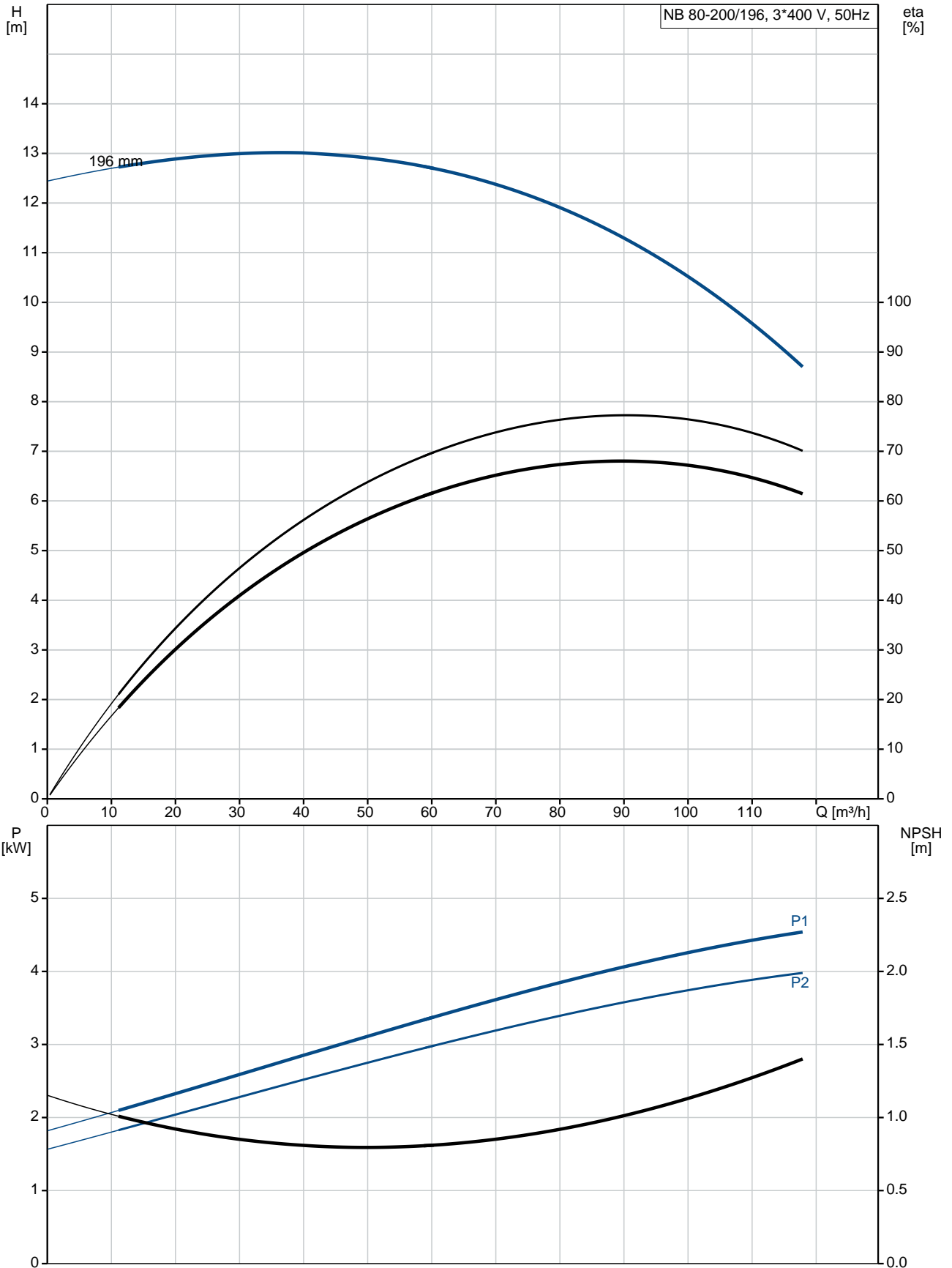
:
 Rated flow: 91.8 m³/h
 Rated head: 11 m
 Actual impeller diameter: 196 mm
 : Single
 : GQQE

:
 Pump housing: Cast iron
 EN-JL1040
 A48-40 B
 Impeller: Cast iron
 EN-JL1030
 A48-30 B

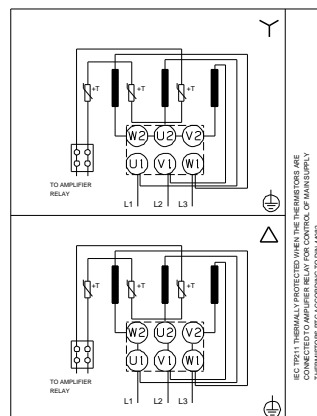
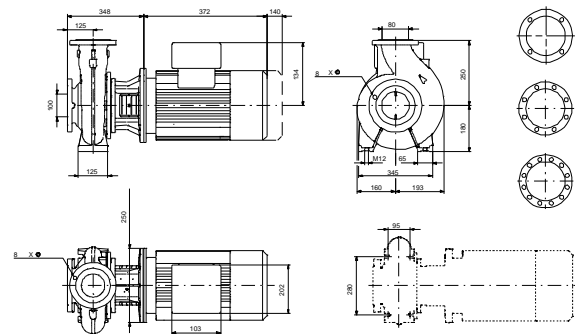
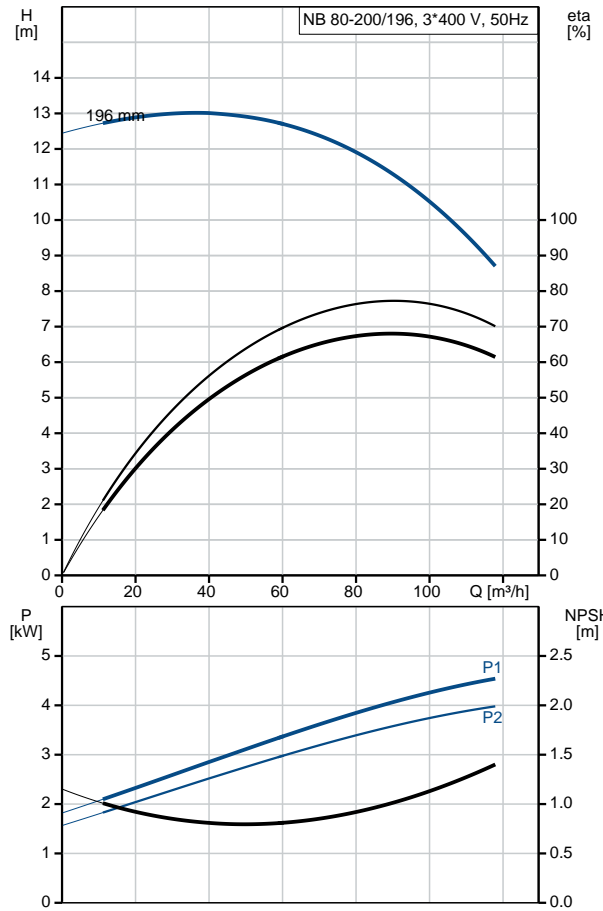
:
 μ : 40 °C

Qty.	Description
	: DIN : DN 100 : DN 80 : PN16 Motor type: 112MC : IE2 μ - 2: 4 kW : 50 Hz Rated voltage: 3 x 380-415 D V Rated current: 8.9 A μ : 730-800 % μ - : 0.81-0.75 μ : 1450-1455 rpm : IE2 86,6% : 88.3 % 3/4 : 89 % 1/2 : 87 % μ : 4 μ (IEC 34-5): IP55 μ (IEC 85): F Motor No: 87312330 : Net weight: 113 kg Gross weight: 114 kg Shipping volume: 0.324 m ³

96535225 NB 80-200/196 A-F-A-GQQE 50 Hz



Description	Value
General information:	
μ :	NB 80-200/196 A-F-A-GQQE
μ :	96535225
μ :	5700397546550
μ :	
μ :	1455 rpm
Rated flow:	91.8 m ³ /h
Rated head:	11 m
Head max:	16 m
Actual impeller diameter:	196 mm
μ :	Single
μ :	GQQE
Pump version:	A
μ :	
Pump housing:	Cast iron EN-JL1040 A48-40 B
Impeller:	Cast iron EN-JL1030 A48-30 B
Material code:	A
μ :	
μ :	40 °C
μ :	DIN
μ :	DN 100
μ :	DN 80
μ :	
μ :	PN16
Connect code:	F
μ :	
Pumped liquid:	Water
μ :	-25 .. 90 °C
μ :	20 °C
Density at selected liquid temperature:	998.2 kg/m ³
μ :	
Motor type:	112MC
μ :	IE2
μ - 2:	4 kW
μ :	50 Hz
Rated voltage:	3 x 380-415 D V
Rated current:	8.9 A
μ :	730-800 %
μ - :	0.81-0.75
μ :	1450-1455 rpm
μ :	IE2 86,6%
μ :	88.3 %
μ 3/4 :	89 %
μ 1/2 :	87 %
μ :	4
μ (IEC 34-5):	IP55
μ (IEC 85):	F
Motor protec:	PTC
Motor No:	87312330
μ. IEC 34-7:	IM V1/B5
μ :	





Company name:

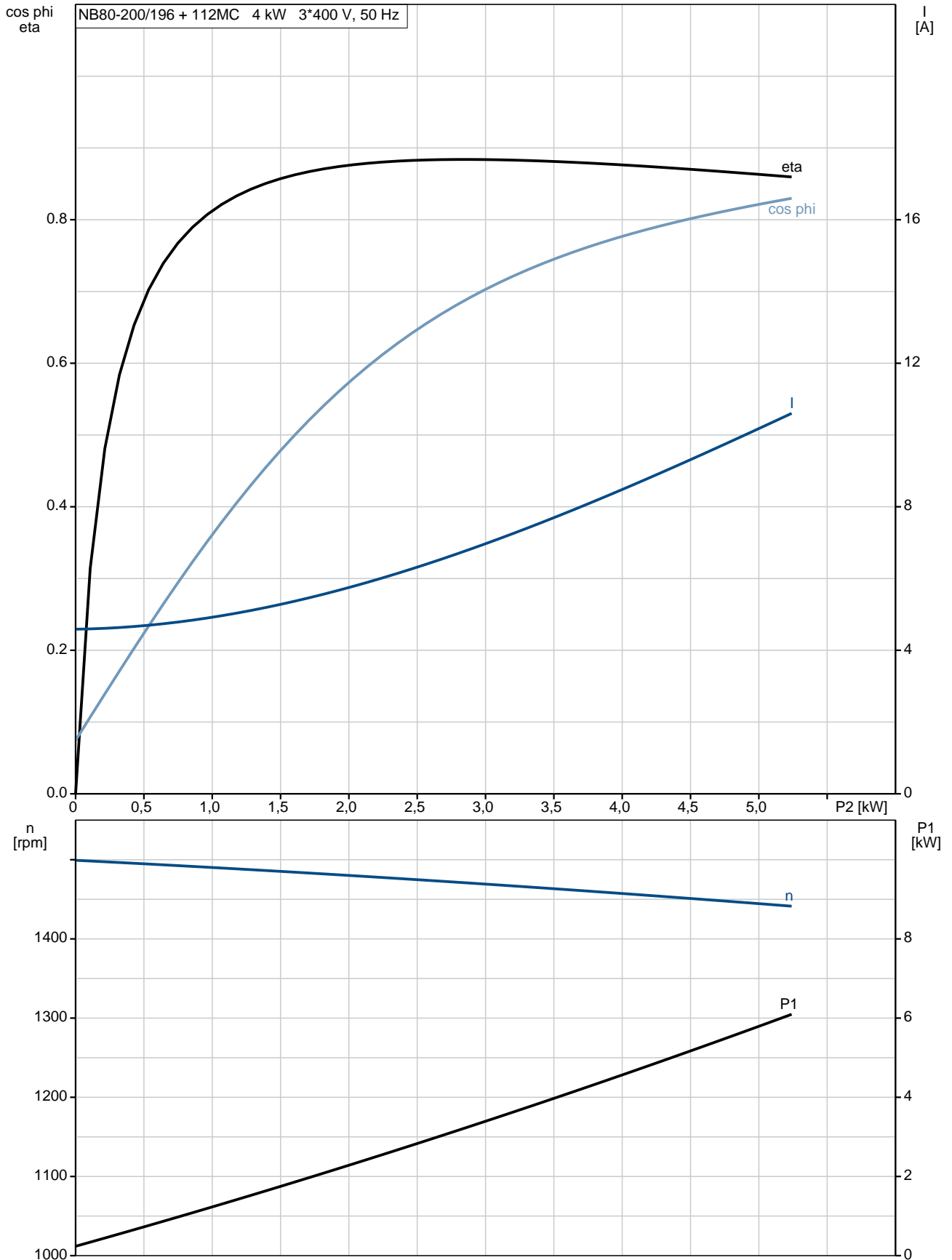
Created by:

Phone:

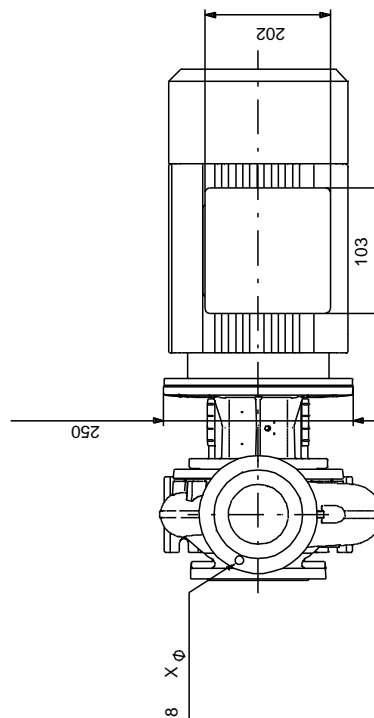
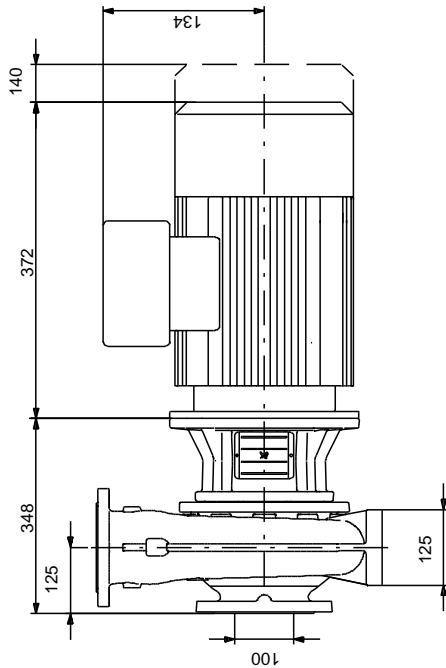
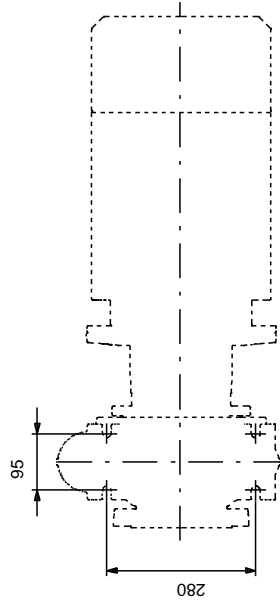
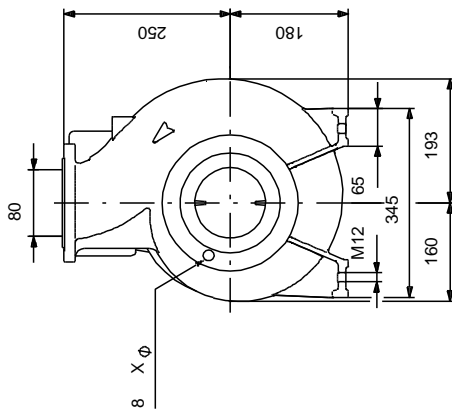
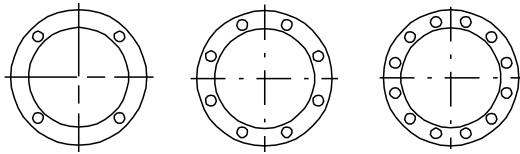
Date: 5/4/2019

Description	Value
Net weight:	113 kg
Gross weight:	114 kg
Shipping volume:	0.324 m ³

96535225 NB 80-200/196 A-F-A-GQQE 50 Hz

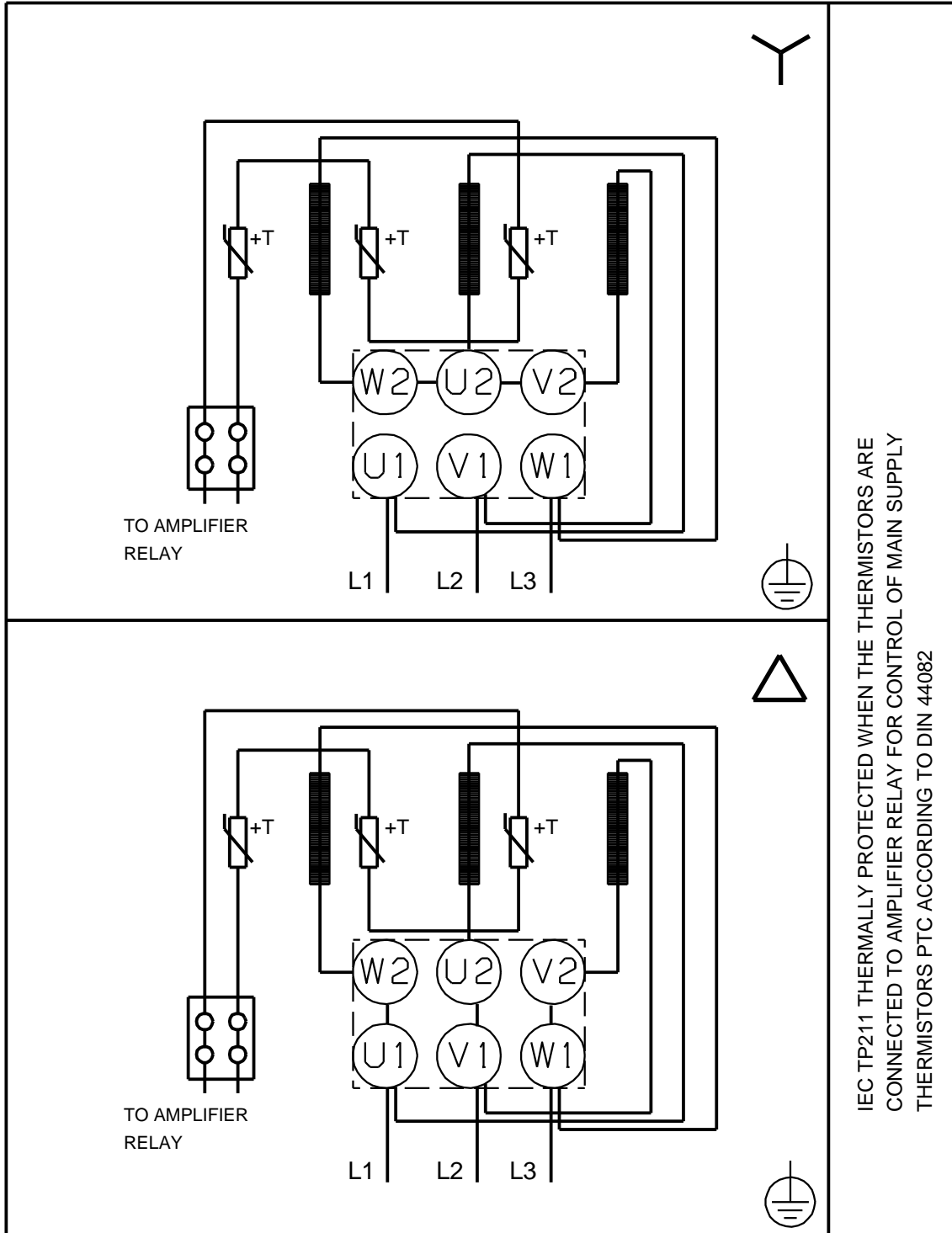


96535225 NB 80-200/196 A-F-A-GQQE 50 Hz



Note! All units are in [mm] unless others are stated.
Disclaimer: This simplified dimensional drawing does not show all details.

96535225 NB 80-200/196 A-F-A-GQQE 50 Hz



Note! All units are in [mm] unless others are stated.